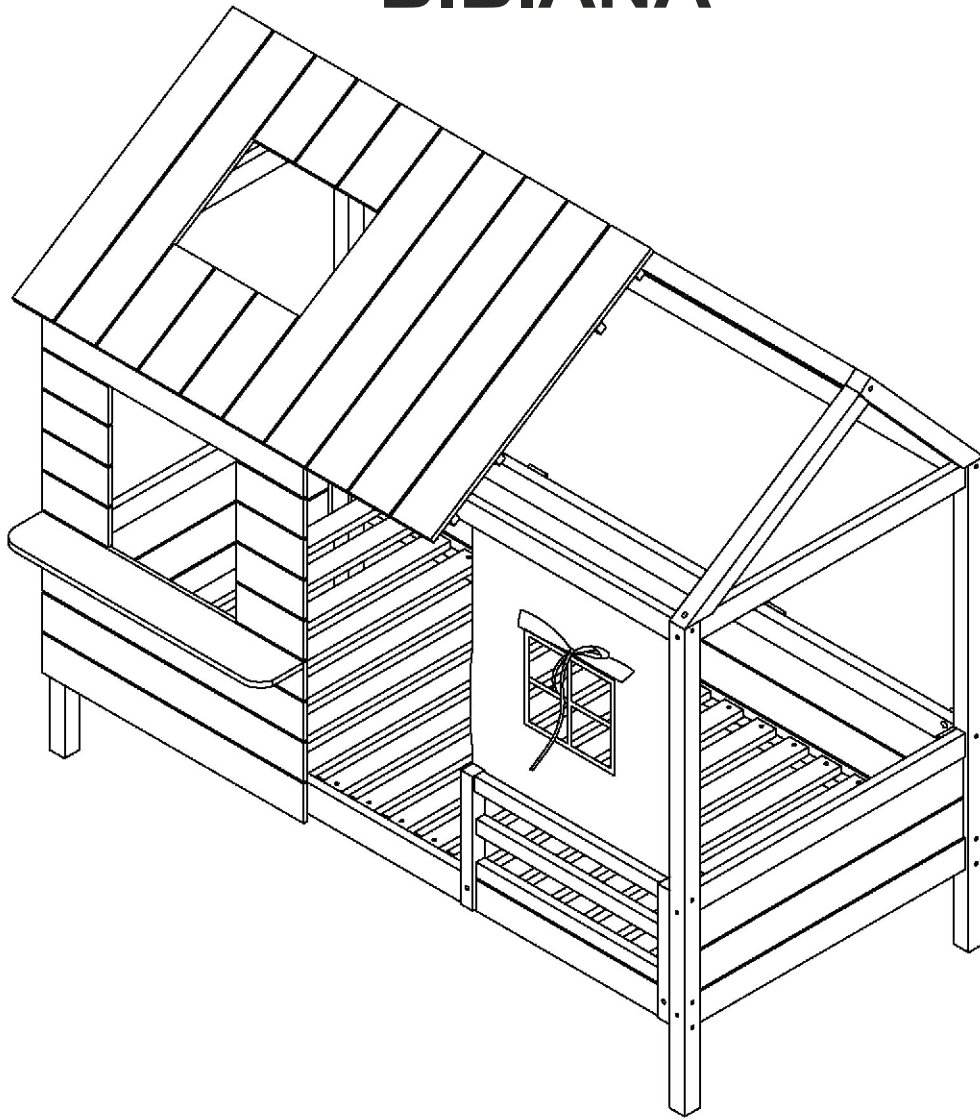

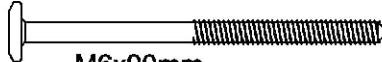


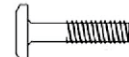



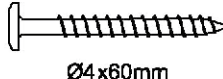

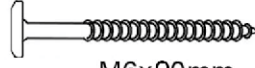

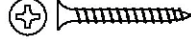




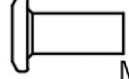
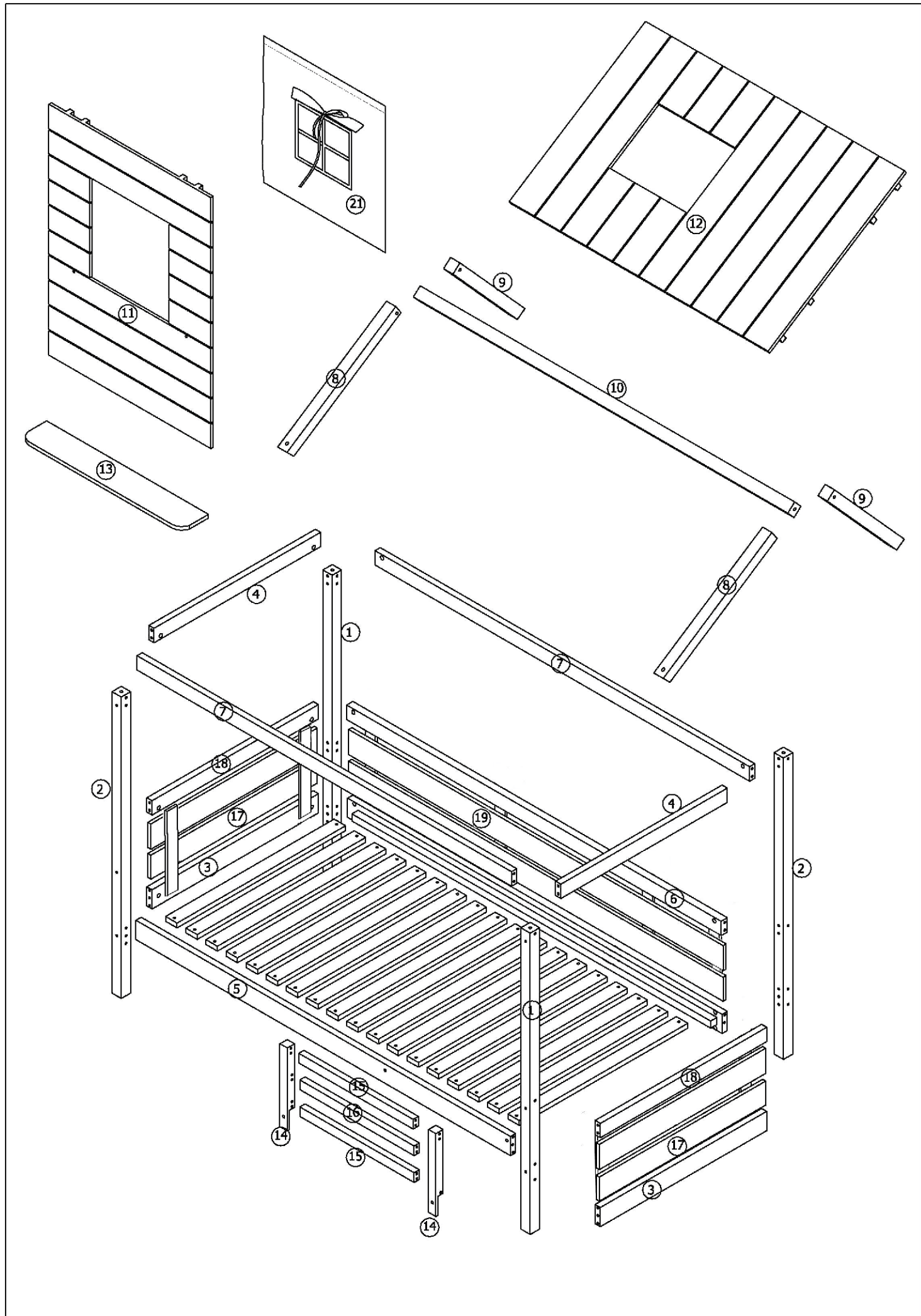


BIBIANA

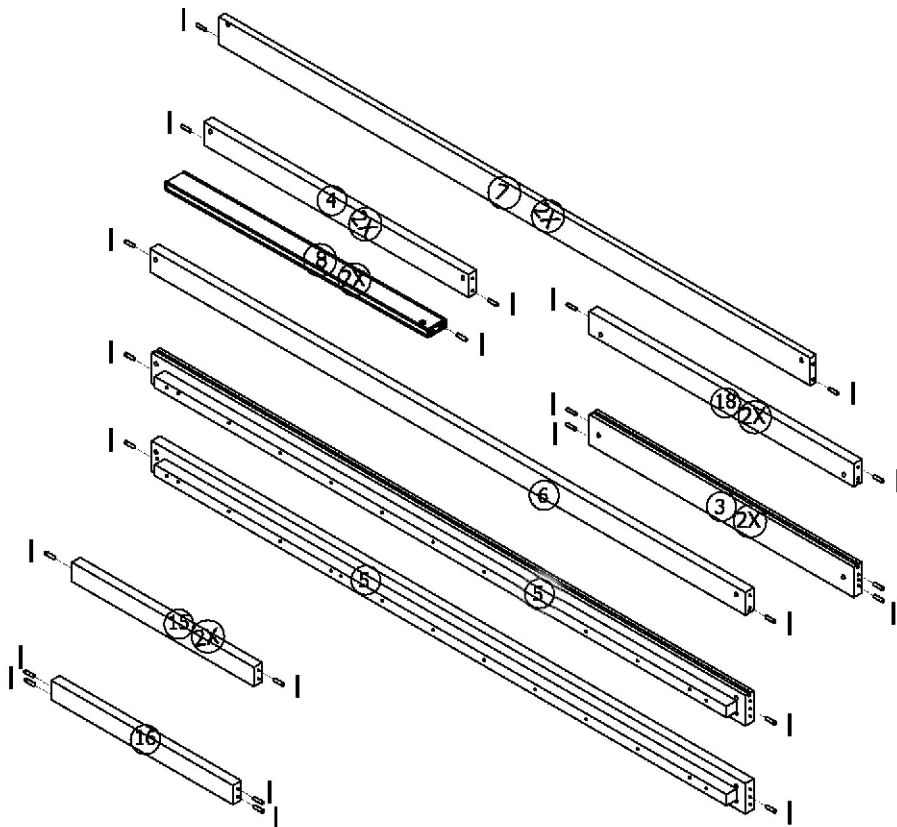


A	 15mm	 M6x90mm	28
B			28
C	 15mm	 M6x30mm	02
D	 15mm	 M6x70mm	07
H	 8mm	 Ø4 x60mm	04
F	 15mm	 M6x90mm	02

I	 Ø8x30mm	36	
J	 8mm Ø4 x30mm	66	
K		02	
O	  Ø15mm	29	
E	 15mm	 M6x20mm	02

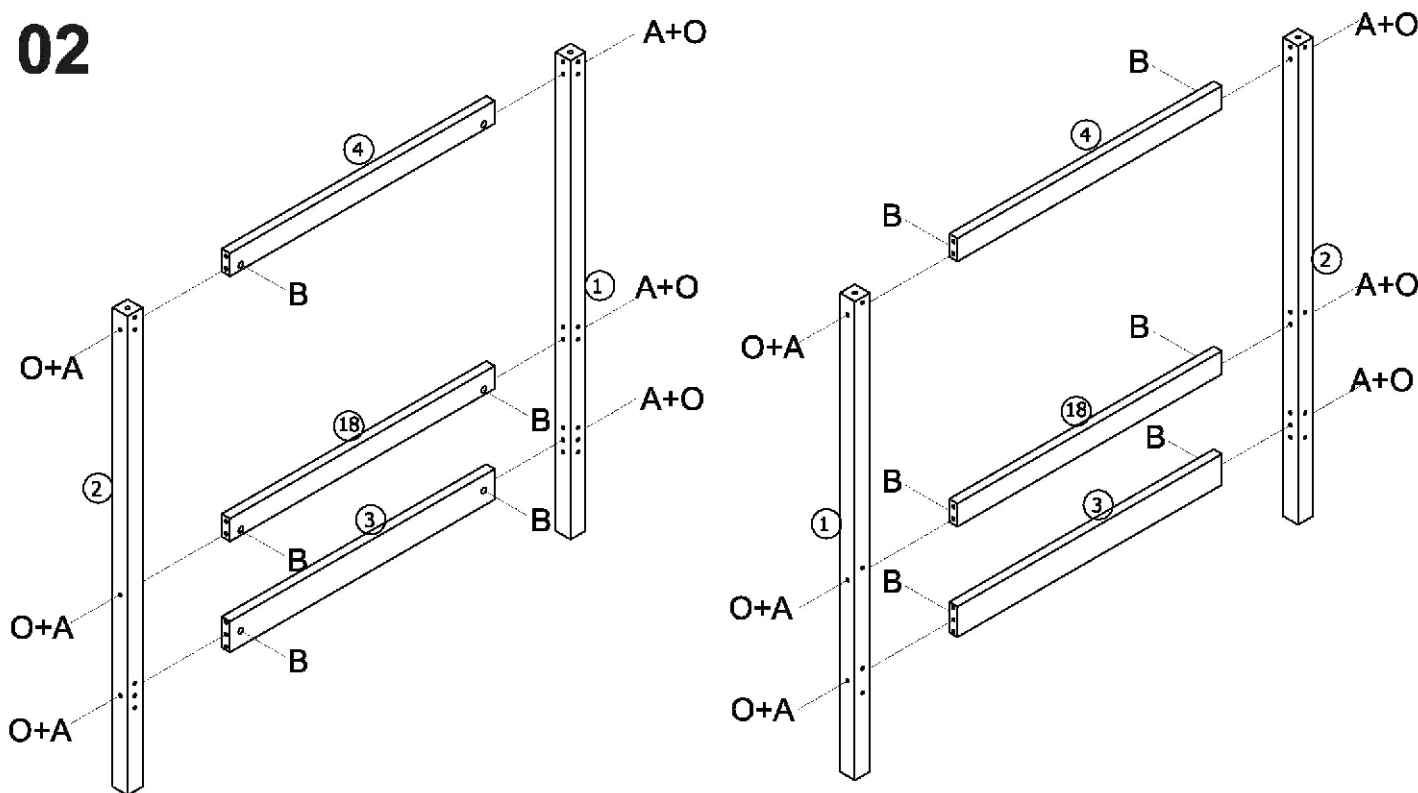





01



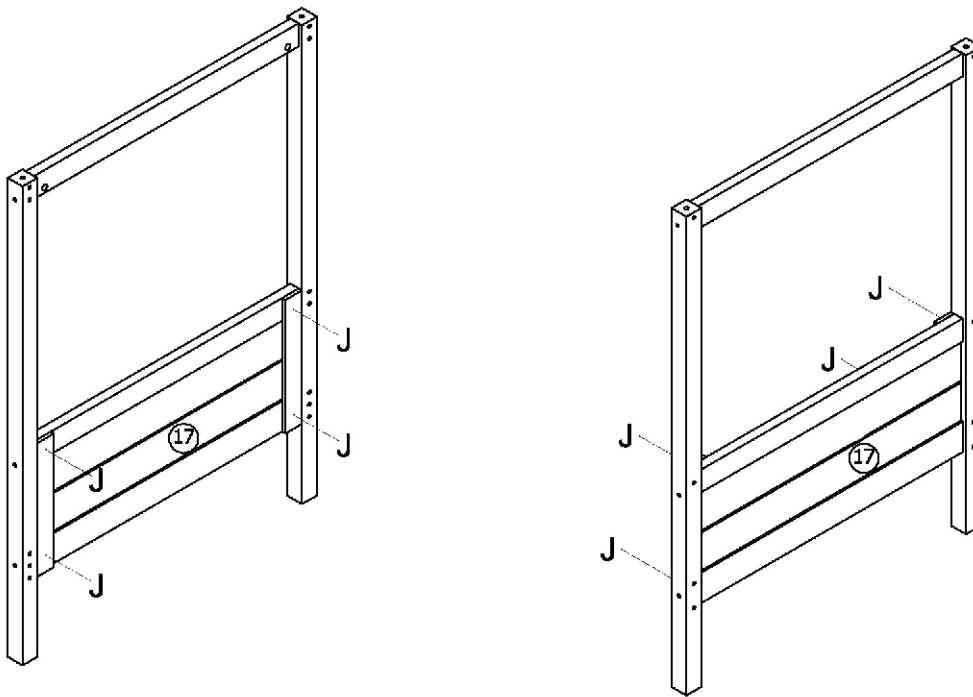
I	 Ø8x30mm	36
---	--	----

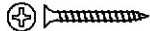
02



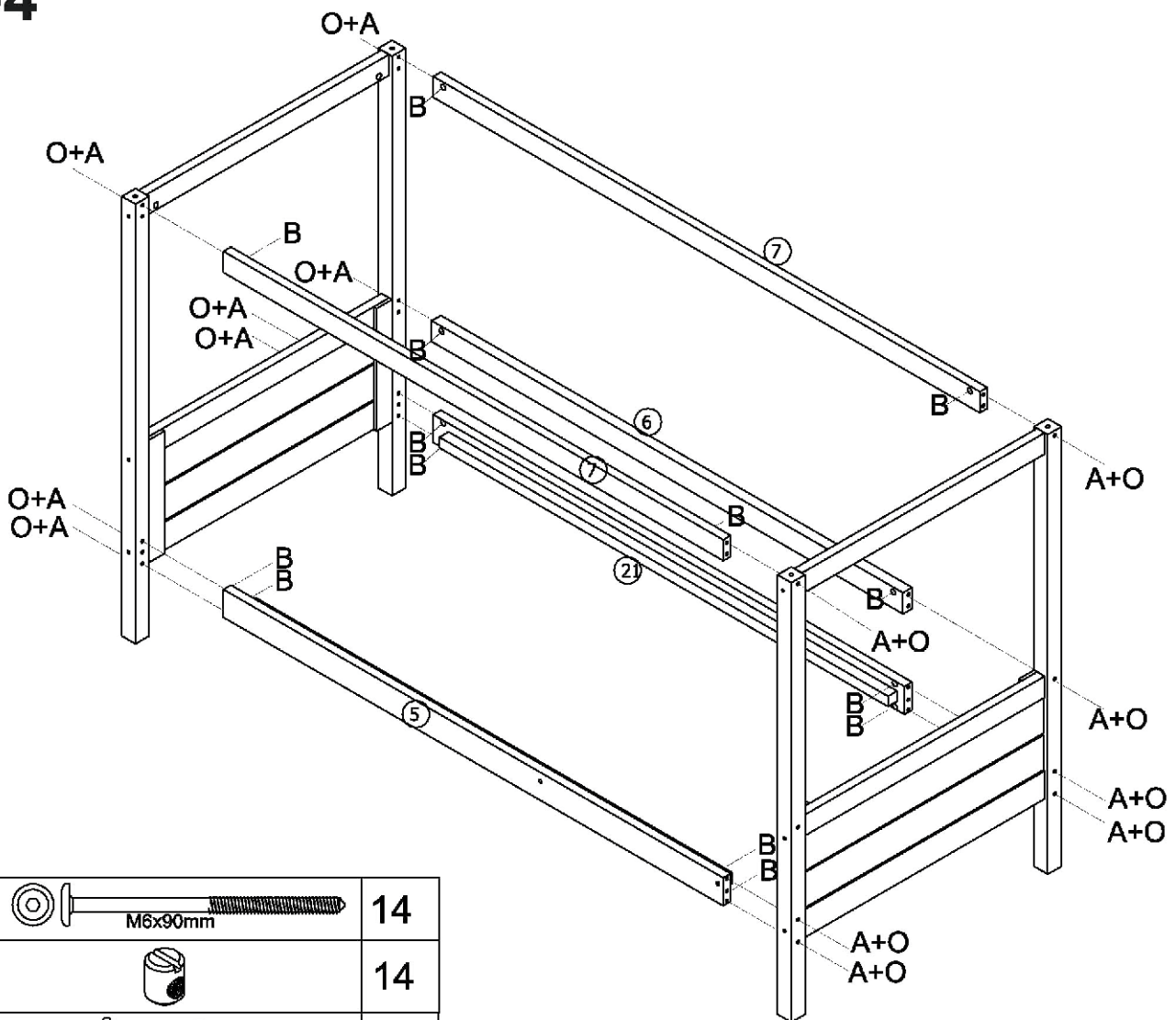
A	 M6x90mm	12
B		12
O	 Ø15mm	12

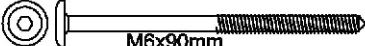


03



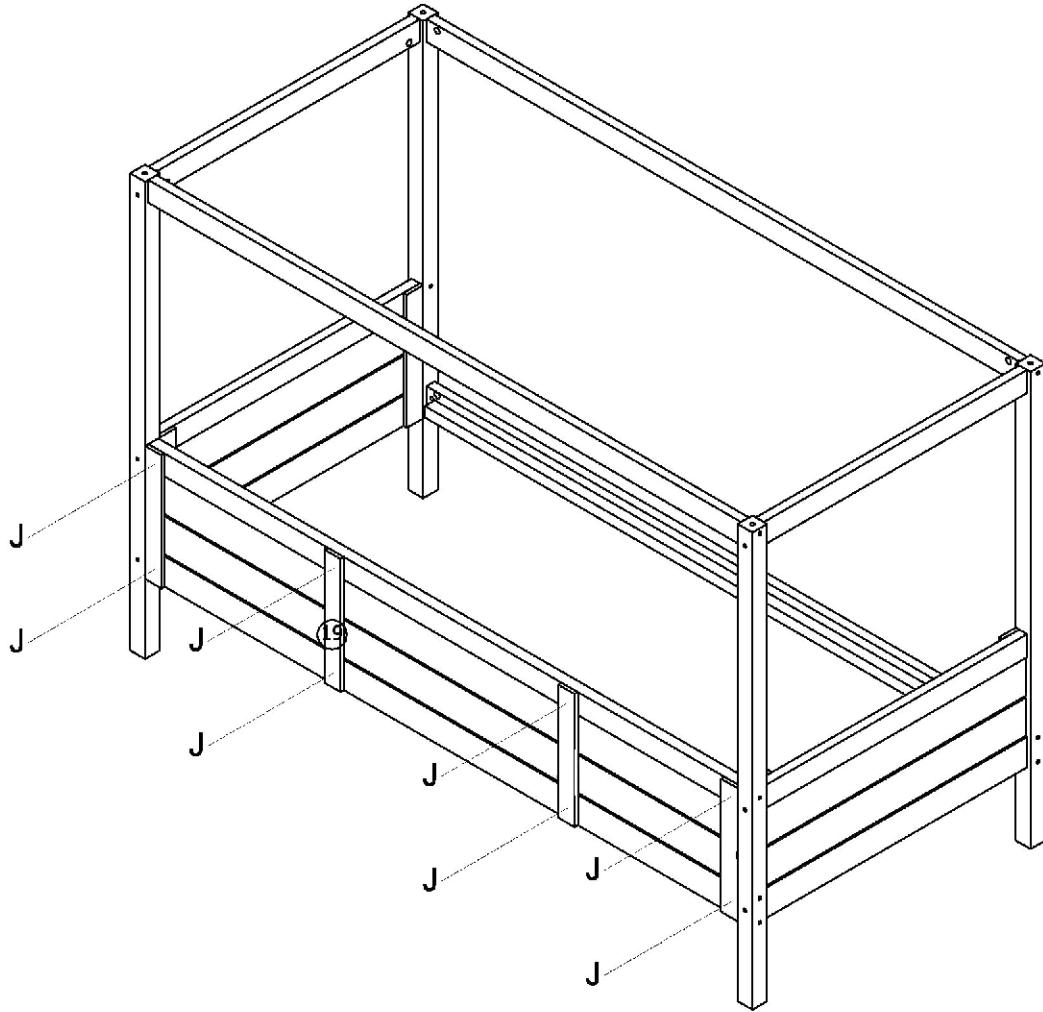
J	 8mm Ø4 x30mm	08
---	---	----

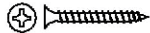
04



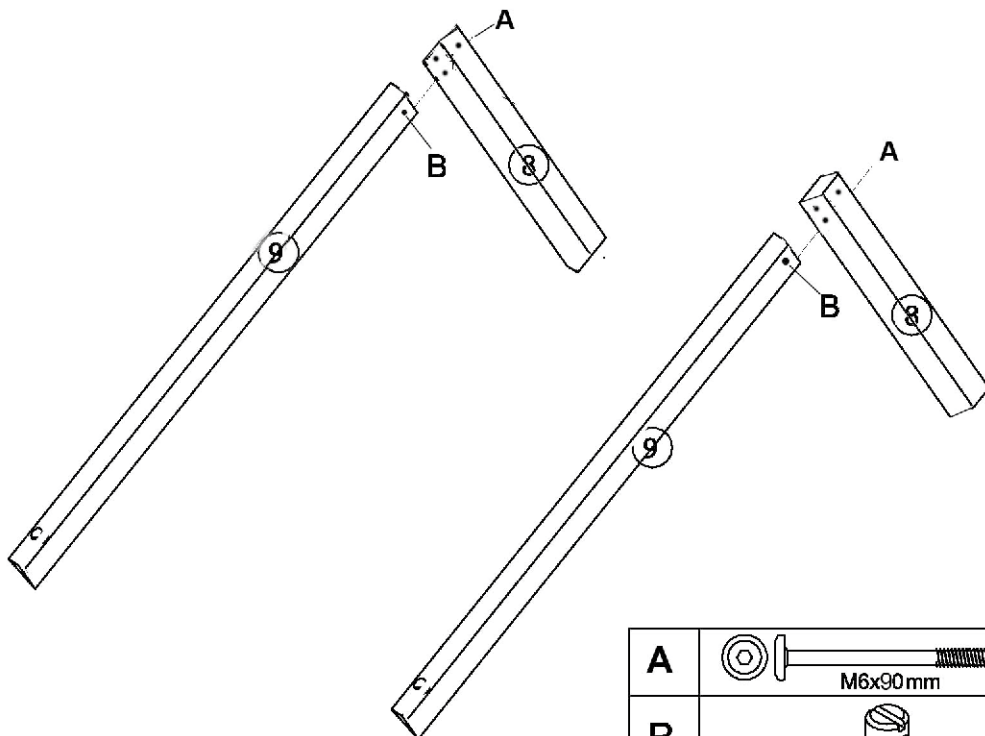
A	 M6x90mm	14
B		14
O	 Ø15mm	14



05



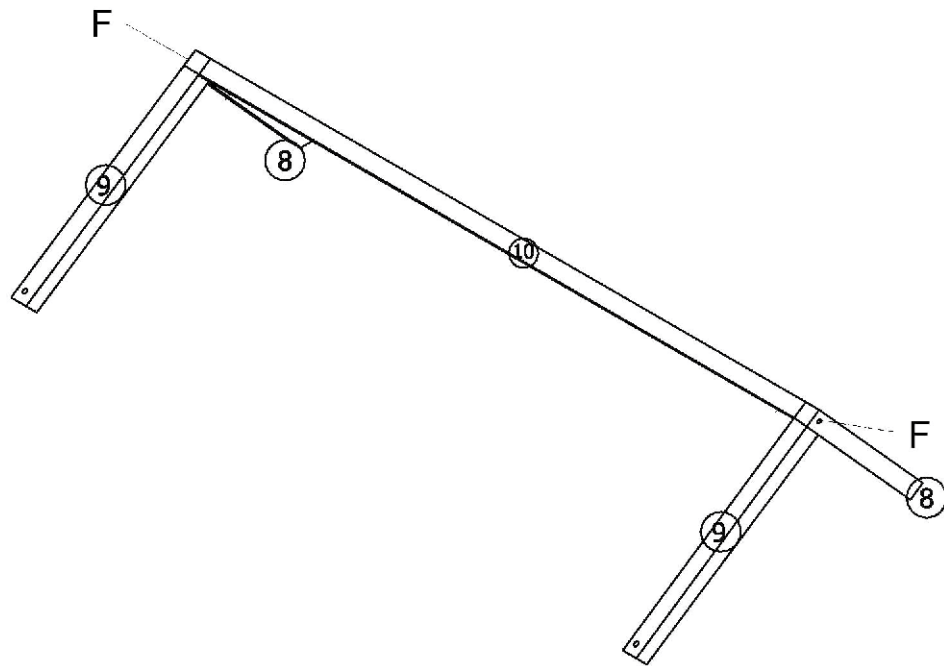
J	 8mm \varnothing 4x30mm	08
---	---	----


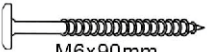
06



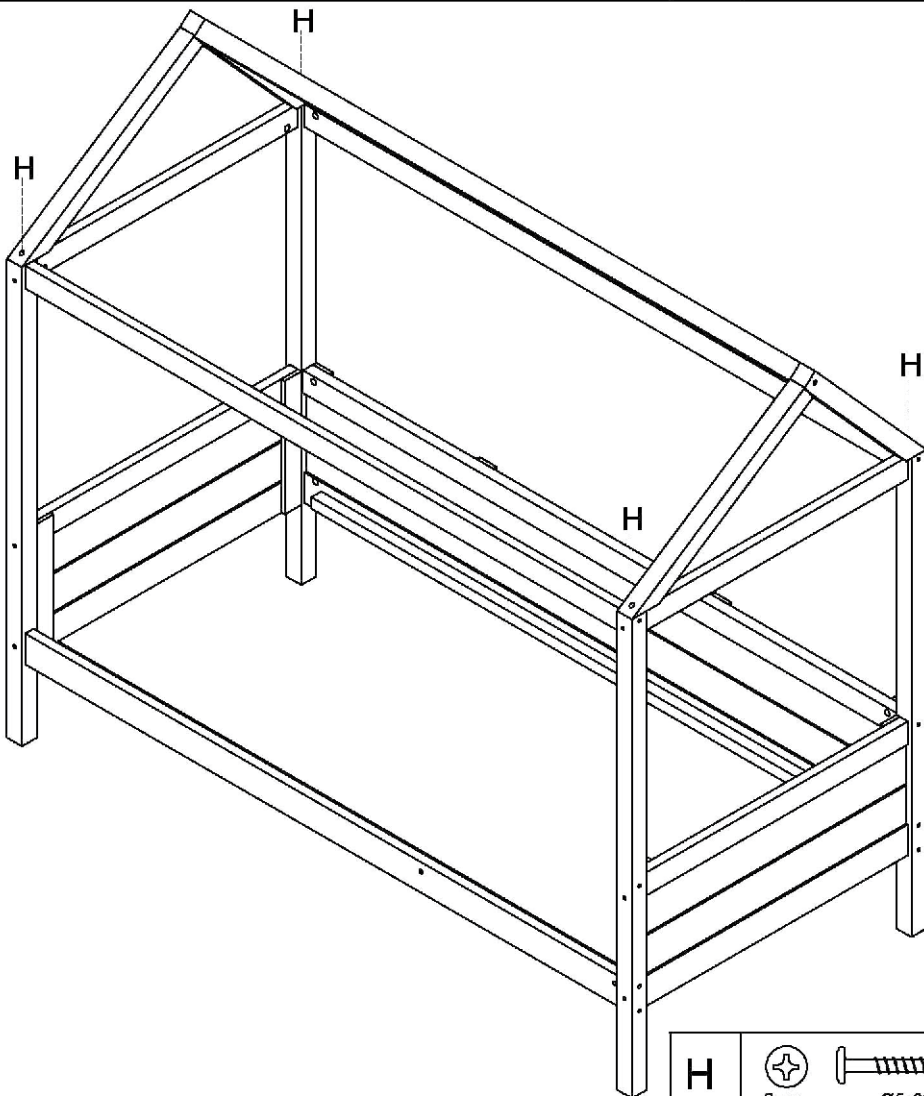
A	 M6x90mm	02
B		02


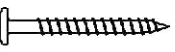
07



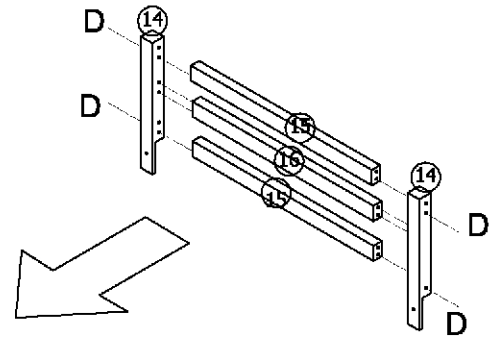
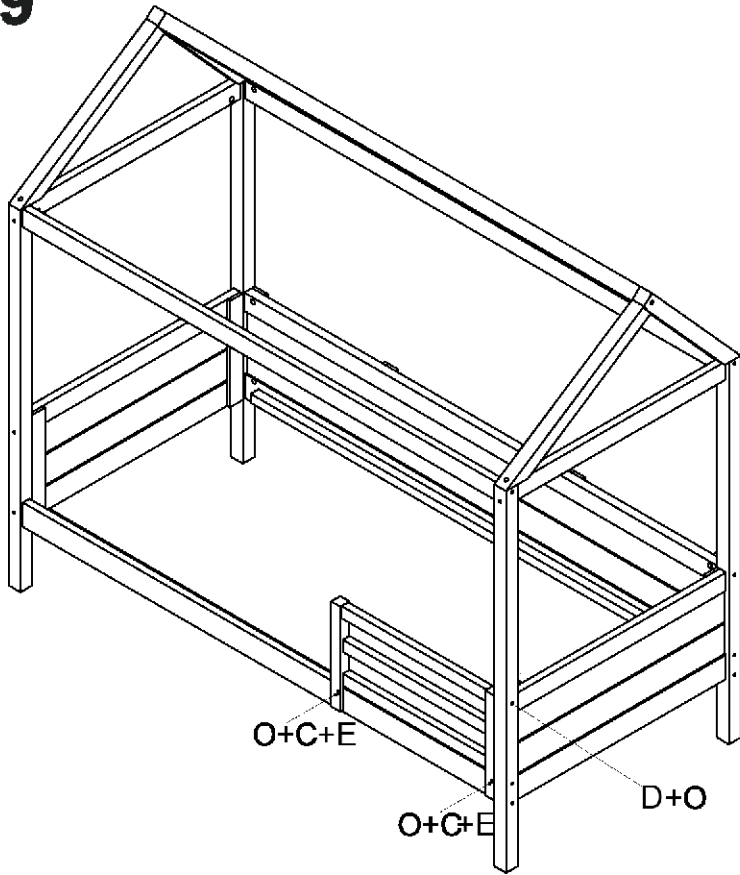
F			02
	15mm	M6x90mm	


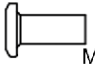

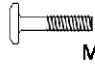

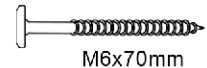


08



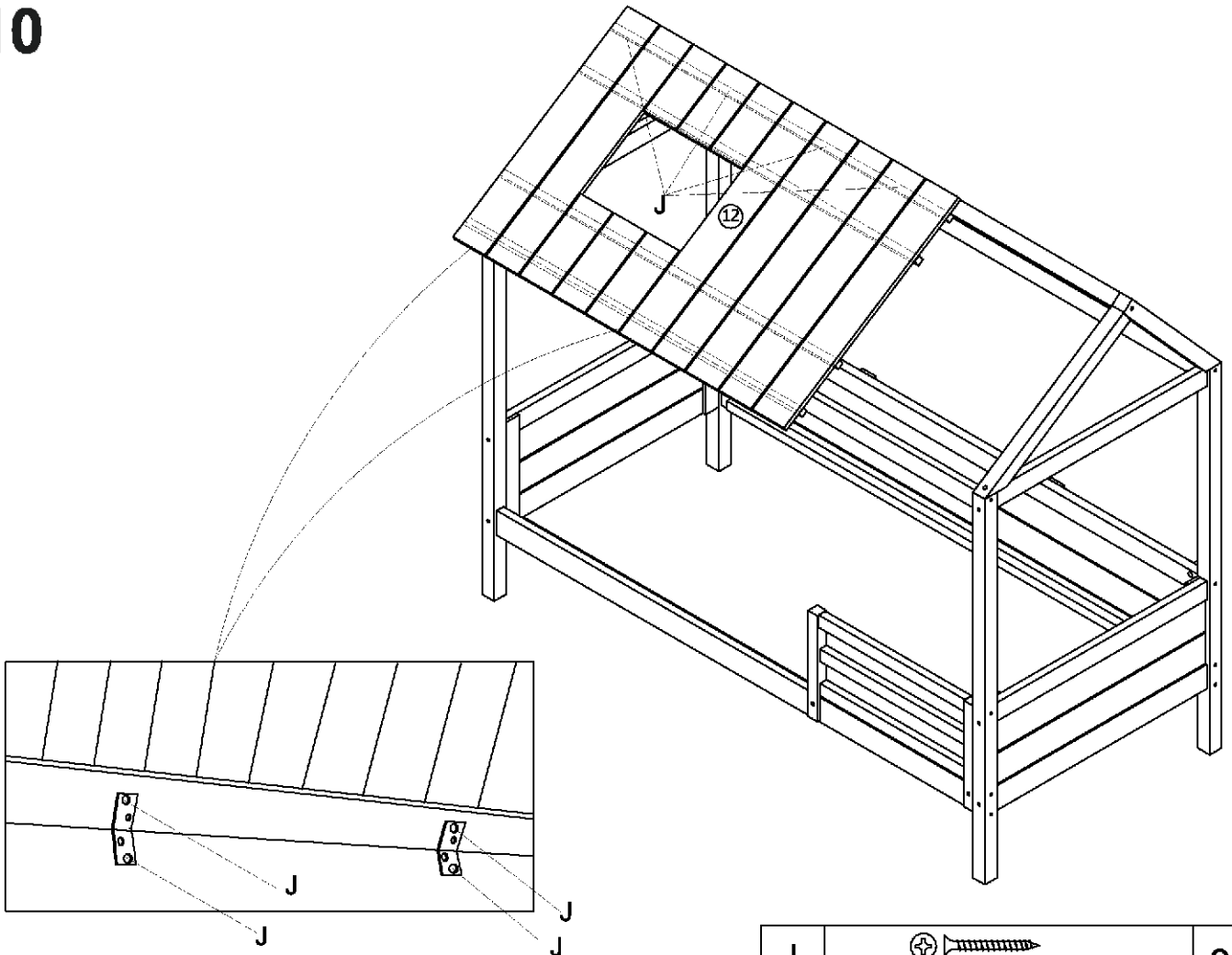
H			04
	8mm	Ø5x60mm	


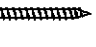
09



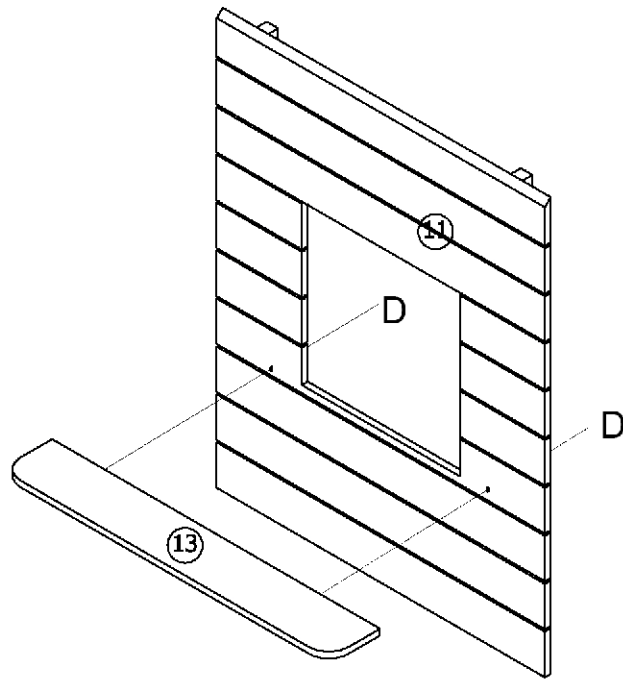
E			M6x20mm	02
C			M6x30mm	02
D			M6x70mm	05
O			Ø15mm	03


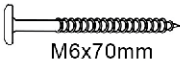
10



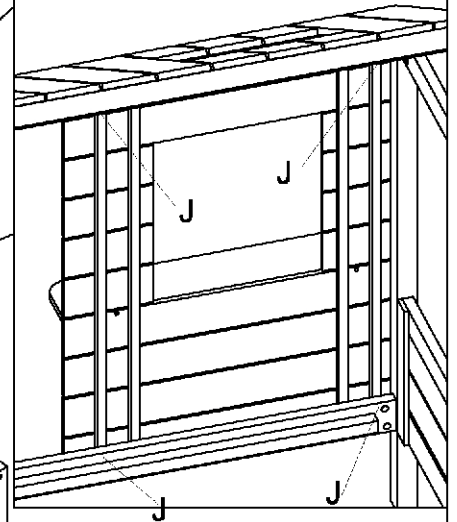
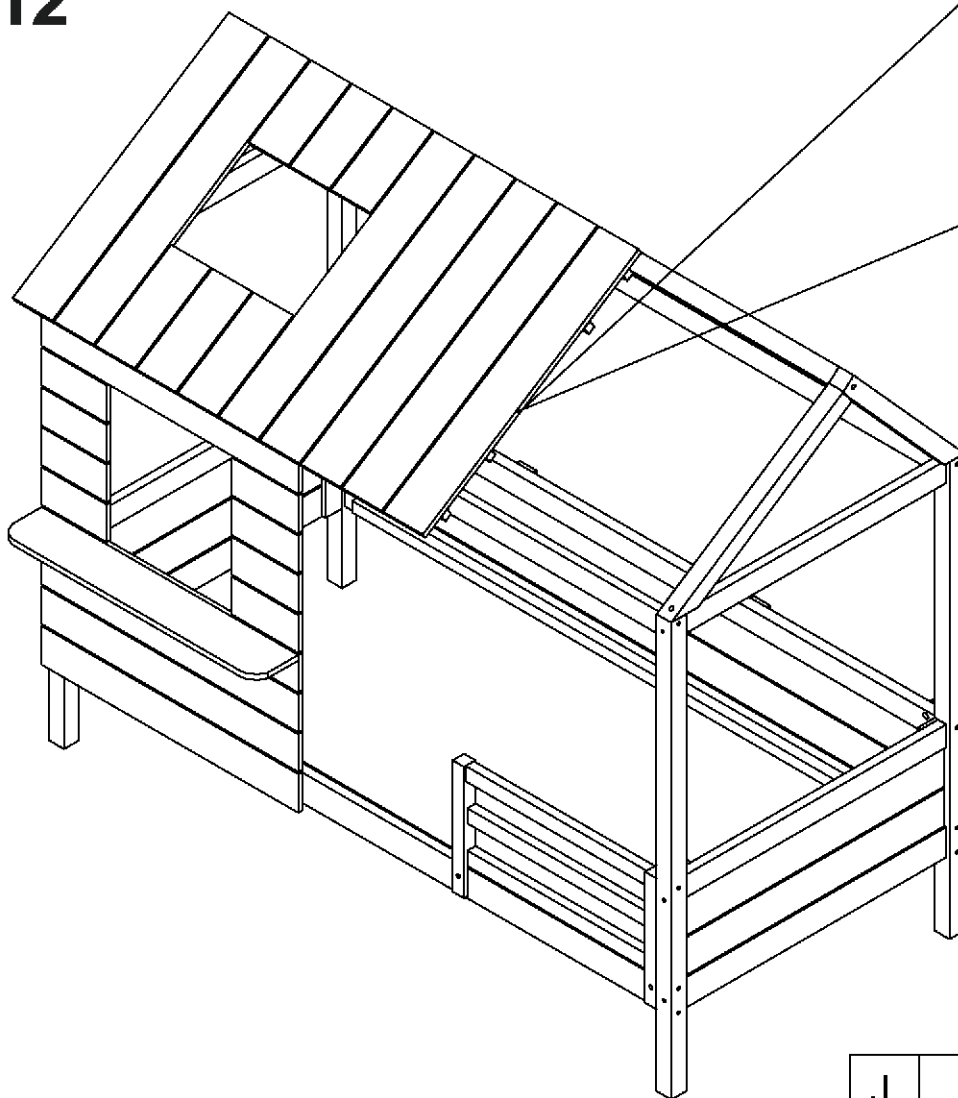
J			8mm Ø4x30mm	08
---	---	---	-------------	----


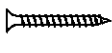
11



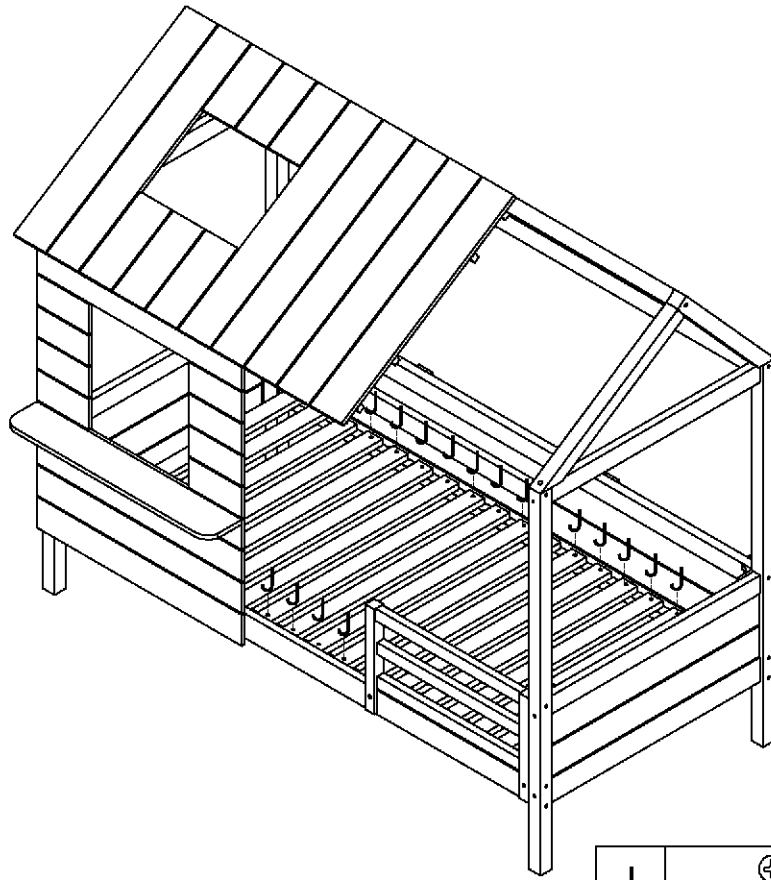
D			02
	15mm	M6x70mm	

12

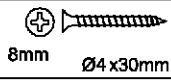


J			04
	8mm	Ø4x30mm	

13



J



36

14

